

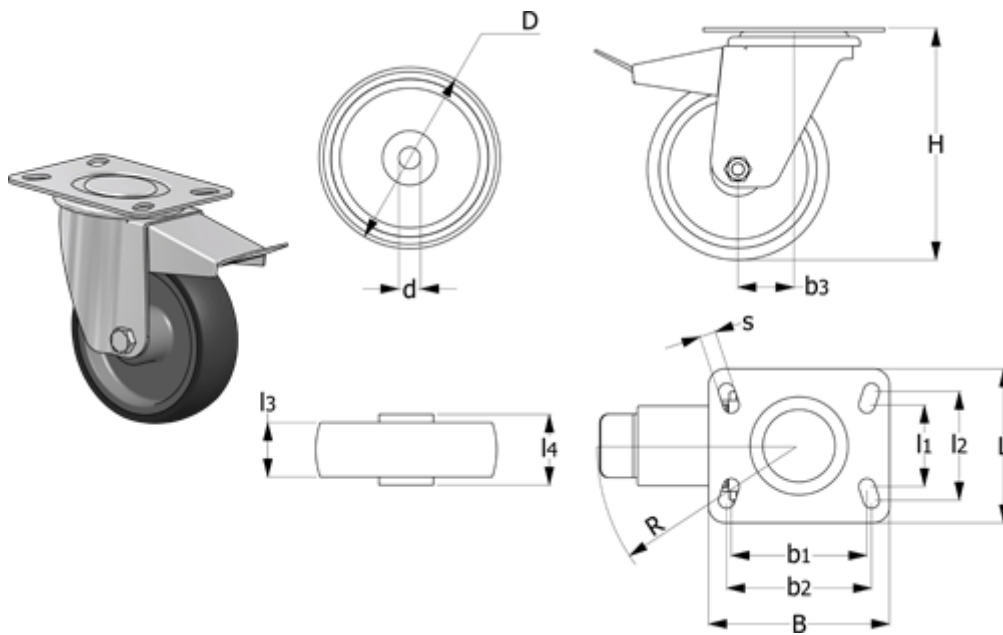
# Data Sheet



Article number: 2314452616

Description: E+G Thermoplastic wheel 452616  
RE.G1-150-SBF turning plate w/brake

## Measures



B	= 140	g = 2000	Rolling resistance (N) = 1800
b1	= 105	H = 194	s = 11
b2	= 105	L = 110	Type = RE.G1-150-SBF
b3	= 56	l1 = 73	
Code	= 452616	l2 = 87	
D	= 150	l3 = 45	
d	= 20	l4 = 59	
Dynamic load (N)	= 1800	R = 146	